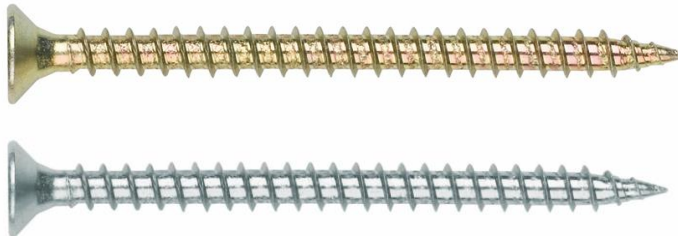


2. INSTALLATION DATA

2.1 TP-PO

Chipboard screw countersunk 90° head, thread 40°



Characteristics



Steel



Zinc plated



Zinc plated yellow passivated

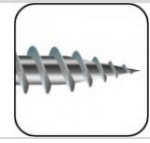
Properties



Pz



Countersunk head

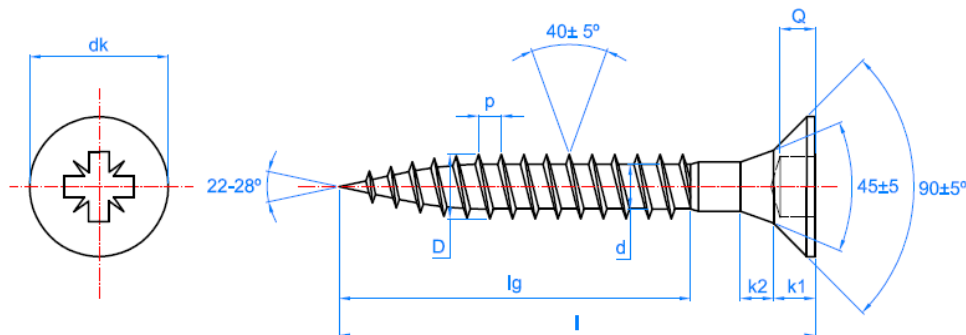


S tip, pin

Installation Data

| CODE | | TPPO25 | TPPO30 | TPPO35 | TPPO40 | TPPO45 | TPPO50 | TPPO60 |
|---------------------------|------|----------|--------------------|--------------------|--------------------|--------------------|--------------------|--------------------|
| | | TPPOZ25 | TPPOZ30 | TPPOZ35 | TPPOZ40 | TPPOZ45 | TPPOZ50 | TPPOZ60 |
| d_k : head diameter | [mm] | 5.0 | 6.0 | 7.0 | 8.0 | 9.0 | 10.0 | 12.1 |
| D: outer thread diameter | [mm] | 2.5 | 3.0 | 3.5 | 4.0 | 4.5 | 5.0 | 6.0 |
| d: inner thread diameter | [mm] | 1.6 | 1.9 | 2.2 | 2.5 | 2.7 | 3.0 | 3.6 |
| p: pitch | [mm] | 1.10 | 1.35 | 1.60 | 1.80 | 2.00 | 2.20 | 2.60 |
| l: screw length | [mm] | 10 - 25 | 12 - 40 | 16 - 50 | 16 - 70 | 20 - 80 | 20 - 120 | 40 - 220 |
| l_g : thread max length | [mm] | Completa | Completa | Completa | 60 | 60 | 60 | 60* |
| Pz recess | | #1 | #1 | #2 | #2 | #2 | #2 | #3 |
| Pz dopbit code | | | PUPOC01 PUPOL01 | PUPOC01 PUPOL01 | PUPOC02 PUPOL02 | PUPOC02 PUPOL02 | PUPOC02 PUPOL02 | PUPOC02 PUPOL02 |

PLAN



*TPPOZ up to 110

** 75 mm thread length from TPPO60120

- Zinc plated yellow passivated.
- 90° countersunk head, 40° wood thread, Pz recess.
- S tip allows wood straight drill.
- Applications:
 - Fixing metallic drilled connectors on wood.
 - Fixing metallic drilled reinforcements on wood.
 - Fixing hard wood on wood.