

2.2 TP-TO

Chipboard screw 90° countersunk head, thread 40°



Characteristics



Steel

Zinc plated yellow passivated

Properties



Hexalobular Tx

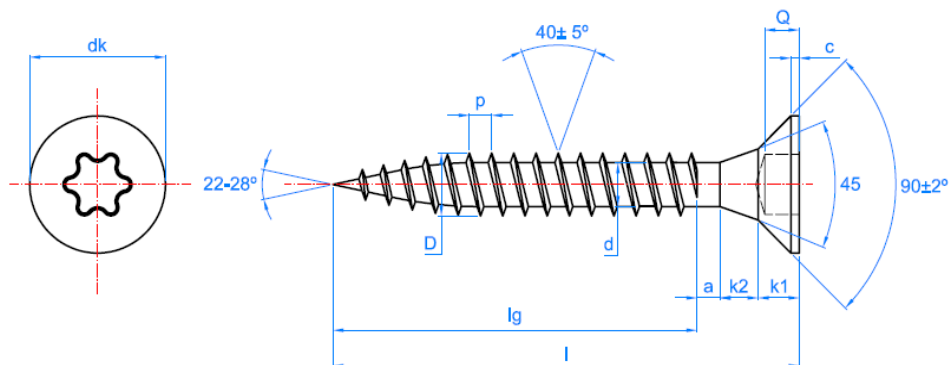
Countersunk head

S tip, pin

Installation Data

CODE		TPTO30	TPTO35	TPTO40	TPTO45	TPTO50	TPTO60
dk: head diameter	[mm]	6.0	7.0	8.0	9.0	10.0	12.0
D: outer thread diameter	[mm]	3.0	3.5	4.0	4.5	5.0	6.0
d: inner thread diameter	[mm]	1.9	2.2	2.5	2.7	3.0	3.6
p: pitch	[mm]	1.35	1.60	1.80	2.00	2.20	2.60
l: screw length	[mm]	15 - 30	15 - 50	15 - 70	30 - 70	30 - 120	60 - 300
lg: thread max length	[mm]	Completa	Completa	60	60	60*	60**
Hexalobular Tx recess		#10	#15	#20	#20	#25	#30
Hexalobular Tx recess dopbit code		PUTO010	PUTO015	PUTO020	PUTO020	PUTO025	PUTO030

PLANO



* 72 mm thread length for TPTO50120
 ** 72 mm thread length from TPTO60110

- Zinc plated yellow passivated.
- 90° countersunk head, 40° wood thread, S tip allows wood straight drill.
- Hexalobular ISO 10664 (Tx) recess allows higher torque than Pz.
- Applications:
 - Fixing metallic drilled connectors on wood.
 - Fixing metallic drilled reinforcements on wood.
 - Fixing wood on wood.