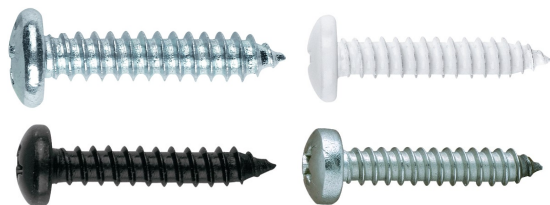


3. INSTALLATION DATA

3.1 DIN-7981 HP

Self-tapping screw – dome head – Ph socket



Properties



Steel



Available in stainless



Available in different colours

Coatings



Zinc-plated coating



White zinc-plated

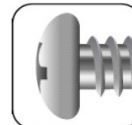


Black zinc-plated

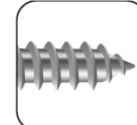
Properties



Ph

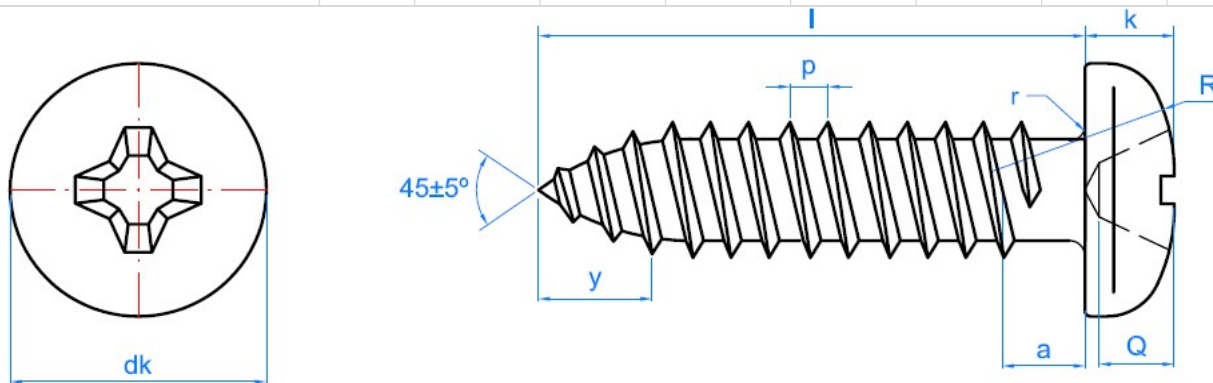


Dome head



Self-tapping Point C

Code T81		ST 2.9	ST 3.5	ST 3.9	ST 4.2	ST 4.8	ST 5.5	ST 6.3
d _k : head diameter	[mm]	5.45	6.7	7.3	8.0	9.4	10.6	12.3
k: head thickness	[mm]	2.2	2.6	2.8	3.05	3.55	3.95	4.55
Ph bit no.		1	2	2	2	2	3	3
R: head radius	[mm]	4.4	5.4	5.8	6.2	7.2	8.2	9.5
D: exterior thread diameter	[mm]	2.90	3.53	3.90	4.22	4.80	5.46	6.25
d: interior thread diameter	[mm]	2.18	2.64	2.92	3.10	3.58	4.17	4.88
p: thread	[mm]	1.1	1.3	1.3	1.4	1.6	1.8	1.8
y: point length ≤	[mm]	2.6	3.2	3.5	3.7	4.3	5	6
l: lengths	[mm]	6.5 -- 25	6.5 -- 32	9.5 -- 50	9.5 -- 90	9.5 -- 120	13-- 120	16-- 120
l _G : maximum thread length	[mm]	--	--	--	--	90	90	90
Installation bit point code (Ph)		PUPHC01 PUPHL01	PUPHC02 PUPHL02	PUPHC02 PUPHL02	PUPHC02 PUPHL02	PUPHC02 PUPHL02	PUPHC03 PUPHL03	PUPHC03 PUPHL03



- Zinc-plated (code T81), A2 stainless steel (code TA281), white zinc-plated (T81__BLE) and black zinc-plated (TZN81) finishes.
- White zinc-plated measurements: 3.5 x 9.5, 4.2 x 13 y 4.2 x 25.
- Black zinc-plated measurements: 2.9 x 9.5, 3.5 x 13-25, 4.2 x 16-38 y 4.8 x 16-70.
- Stainless steel measurements: 2.9 x 9.5-25, 3.5 x 6.5-32, 3.9 x 9.5-25, 4.2 x 9.5-50, 4.8 x 16-70 y 5.5 x 13-70.
- General use in metal plate-metal plate fixings. For aluminium fixings, use stainless steel screw (code TA281).