

2.4 AB-DI

Double isophonic pipe clamp M6



Coating



Yellow zinc plated

Base Materials



Steel Piping

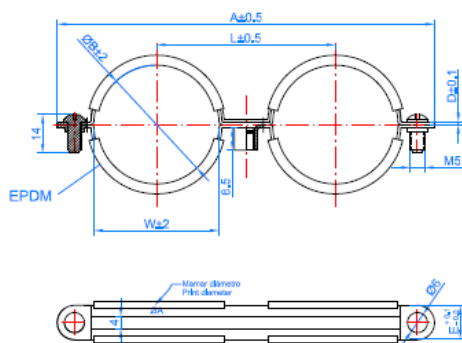
Copper Piping

Plastic Piping

Installation data

Code	ØB (mm)	Ø B (")	E x D (mm)	Recommended Load (kg)	Characteristics
ABDI012	12	1/8	11,7 ÷ 1,0	100	<ul style="list-style-type: none"> • For piping from Ø12 to Ø60 mm. • Surface finish: Yellow zinc plated ≥ 5 microns. • Steel profile, 1÷1.2 mm thick. • Encased M6 nut. • Installation temperature: -30°C ÷ +120°C. • EPDM rubber for isolation and noise / vibration reduction. • Compliant with the Technical Building Code (TBC), HS and HR Basic Requirements sections. • Suitable for steel and plastic piping. • Suitable for gas, sanitary and electrical installations, etc.
ABDI015	15	1/4	11,7 ÷ 1,2	100	
ABDI018	18	3/8	11,7 ÷ 1,2	100	
ABDI022	22	1/2	11,7 ÷ 1,2	100	
ABDI028	28	3/4	11,7 ÷ 1,2	100	

DRAWING



APPLICATION EXAMPLES

